

People have Priority



Oral surgery and Implantology



Oral surgery and Implantology

Company	4–5
Product overview 1 for Piezomed, Piezomed instruments	6–7
Product overview 2 for Elcomed, Implantmed, Prosthodontic screwdriver	8–9
Product overview 3 for Surgical handpieces and contra-angles	10–11
Piezomed	12–13
Elcomed	14–15
Implantmed	16–17
Prosthodontic screwdriver	18–19
Surgical handpieces and contra-angles	20–23
Surgical saw handpieces	24–25
Technical data	26–31



W&H Dentalwerk
Bürmoos



W&H Sterilization
Brusaporto



The stakes are high.
We work with people.

Backbone doesn't come from the stock exchange:
W&H has been a family-owned company for generations.
This is the origin of the spirit of innovation that develops
devices such as Piezomed, Implantmed and Elcomed.

The secret of our success: W&H has always placed
people – regardless of whether they are partners,
customers, patients or employees – in the centre.
See for yourself – it's no longer a secret!
We don't want to keep any secrets from you.

People
have
Priority

W&H at a glance

- > Head office in Austria
- > 980 employees worldwide
- > 80 teams
- > Established 1890 in Berlin
by Jean Weber and Hugo Hampel
- > 3 production facilities
- > 18 subsidiaries in Europe and Asia
- > Export share over 95 %

For more information see
wh.com

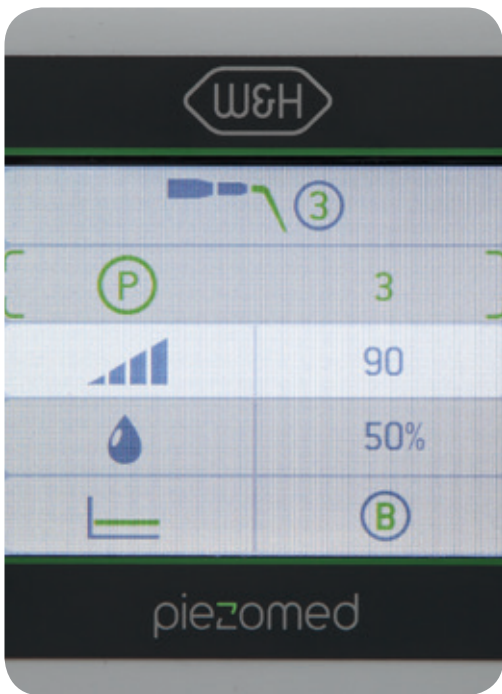
PEOPLE HAVE PRIORITY



Whatever you encounter.

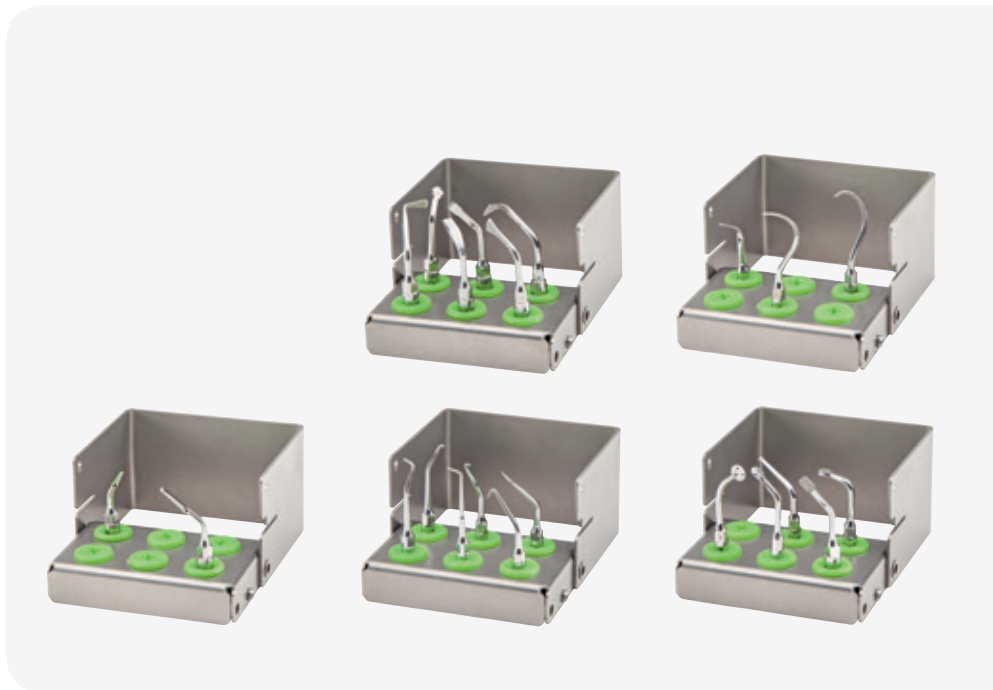
You are prepared for anything with W&H surgical devices.

Now available from your dental dealer or at wh.com



»Incredible – cuts through bone like butter.«

Dr. Ulrich Fürst,
Specialist in oral surgery.



Special saws for bone surgery



only available individual

Instrument kit »Bone« for bone surgery



Instrument kit »Paro« for periodontology



Your advantages at a glance

- > Automatic instrument detection
- > Three individual operating modes »Power«, »Basic« and »Smooth«
- > Temporary 20 % power increase thanks to boost function
- > Ideal illumination of the operating site through ring LED
- > Efficient cooling thanks to spray opening close to the instrument's working area
- > Handpiece with LED socket and cable, thermo washer disinfectable and sterilizable



Piezomed

More info
on page 12

Your advantages at a glance

- > Range of 24 innovative instruments for bone surgery, periodontology and extraction, retrograde endodontics as well as for lateral sinus lift
- > Improved cutting performance thanks to special tothing on the bone blades
- > Extremely high cutting performance and time savings due to the new special saw's thin blade
- > Flexibility and individuality in working
- > Thermo washer disinfectable and sterilizable

Piezomed
Instruments

Instrument kit »Endo«
for retrograde endodontics



Instrument kit Sinus »SPECIAL«
for lateral sinus lift



Instrument kit »EX«
for extraction





»There is no time for compromises during the surgical procedure. Elcomed is clearly number 1 in the operating theatre.«

PD Dr. Jörg Neugebauer,
dentist specializing in oral surgery.



»Who really needs complex menus whilst placing implants? I work with Implantmed because I can operate it without looking.«

Dr. Wiebke Möller-Ühlken,
dentist in the group practice Par Aixcellence®.



»The prosthodontic screwdriver with torque control! It tightens the retaining screw to the perfect tightness.«

Dr. Alexander Schatzdorfer,
dentist with his own practice.

Your advantages at a glance

- > All information in one user level
- > Complete documentation via USB flash drive
- > Shortest and lightest motor with 50,000 rpm
- > Up to 80 Ncm on the rotary instrument
- > 6 programs with individually adjustable parameters
- > Automatic thread cutter function
- > Motor with cable, thermo washer disinfectable and sterilizable



Elcomed

More info
on page 14

Your advantages at a glance

- > Easy to use
- > Powerful motor with 5.5 Ncm torque
- > Wide speed range: 300 up to 40,000 rpm at the motor
- > Precise torque limitation: 5 to 70 Ncm
- > Automatic thread cutter function
- > Motor with cable, thermo washer disinfectable and sterilizable



Implantmed

More info
on page 16

Your advantages at a glance

- > Torque control for risk-free tightening of the retaining screw
- > Automatic stopping when the adjusted torque is reached
- > Constant speed saves time
- > Cordless for ease of use
- > Small head for the best view
- > Torque wrenches and ratchets are now redundant



IA-400

More info
on page 18



»Ideal for Implantmed and Elcomed:
precise and reliable!«

Dr. Alexander Schatzdorfer,
dentist with his own practice.



»The most innovative
surgical contra-angle
of the century!«

Dr. med. dent. Mario Kirste, MSc Implantology,
dentist with his own practice.



»Fast cutting without vibration.
Also for use with local anaesthetics.«

PD Dr. Jörg Neugebauer,
dentist specializing in oral surgery.

Your advantages at a glance

With and without Mini LED+

- > Fatigue-free working thanks to optimal ergonomics
- > Durable and robust due to high-quality stainless steel and scratch-resistant coating
- > Dismantlable for thorough cleaning [except WI-75 E/KM]
- > Thermo washer disinfectable and sterilizable

With Mini LED+

- > Work with daylight quality
- > Natural reproduction of red tones
- > Independent power supply with integrated generator
- > Longer life compared to conventional halogen bulbs



Surgical handpieces and contra-angles

More info
on page 20

Your advantages at a glance

- > Considerably better visibility of the treatment site due to the 45° angle
- > Unite the advantages of straight and contra-angle handpieces
- > Makes access to the molars of upper and lower jaw much simpler
- > The triple spray guarantees sufficient cooling of the rotating instrument and the tooth



Contra-angle with 45° head

More info
on page 22

Your advantages at a glance

- > Innovative saw blade shape for outstanding cutting performance
- > One drive speed for all 3 saw types
- > Durable and robust due to high-grade stainless steel and scratch-resistant coating
- > For sagittal, oscillating or reciprocal movement
- > Range of saw blades for all surgical applications
- > Low vibration and exceptionally quiet
- > Dismantlable for thorough cleaning
- > Thermo washer disinfectable and sterilizable



Surgical saw handpieces

More info
on page 24

Piezomed



The new force in bone surgery

Minimally invasive, maximum power. Piezomed facilitates the surgeon's work: thanks to innovative ultrasound technology, only bone substance is resected with high precision. The surrounding soft tissue remains uninjured. A noticeable relief for the patient: less pain, quicker healing!



Automatic instrument detection

Piezomed detects the instrument during insertion and sets the correct power class automatically.



Innovative ring LED

The shadow-free light ensures ideal illumination of the operating site.



Improved cutting precision

A new, specialized tooth design guarantees precision cutting and saves time!



Extremely powerful and fast

The boost function can be used to increase the set basic power by 20 % for a short period of time.



Efficient cooling

The spray exits near the instrument's area of activity and cools the operating site extremely efficiently.



Perfect cleaning

The handpiece with cable can be thermo washer disinfected and sterilized.

Elcomed



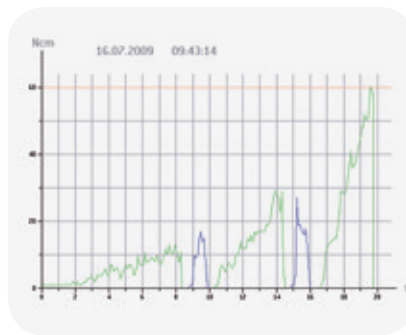
Number 1 in the operating theatre

Safe, reliable, powerful. The W&H Elcomed has been designed specifically to meet the requirements of maxillofacial surgery, dental surgery and implantology.



Everything at a glance

Revolutions per minute, torque and selected coolant flow rate all at one user level.



Complete documentation

Every step of the treatment is saved to a USB flash drive. The data is accessible at any time.



Automatic thread cutter function

Prevents excessive bone compression while screwing in the implant.



Convenient foot control

The multifunctional foot control allows sterile working and optimum freedom for your hands.



An amazing motor

Shortest and lightest motor with 50,000 revolutions per minute.



Wide range

High-quality handpieces, contra-angles and surgical saw handpieces for your Elcomed. For more information see pages 20, 22 and 24.

Implantmed



For daily use

Accurate, powerful and uncomplicated operation. Implantmed gives you the tools for oral surgical procedures in the fields of implantology and maxillofacial surgery with maximum precision.



Easy to use

Set your programs as required with the Plus and Minus buttons.



Strong and safe

Powerful motor with precise torque limitation.



Fatigue-free operation

The contra-angle handpiece is comfortable in the hand and with the motor is perfectly balanced. Extended treatment without fatigue!



Convenient foot control

The multifunctional foot control allows sterile working and optimum freedom for your hands.



Automatic thread cutter function

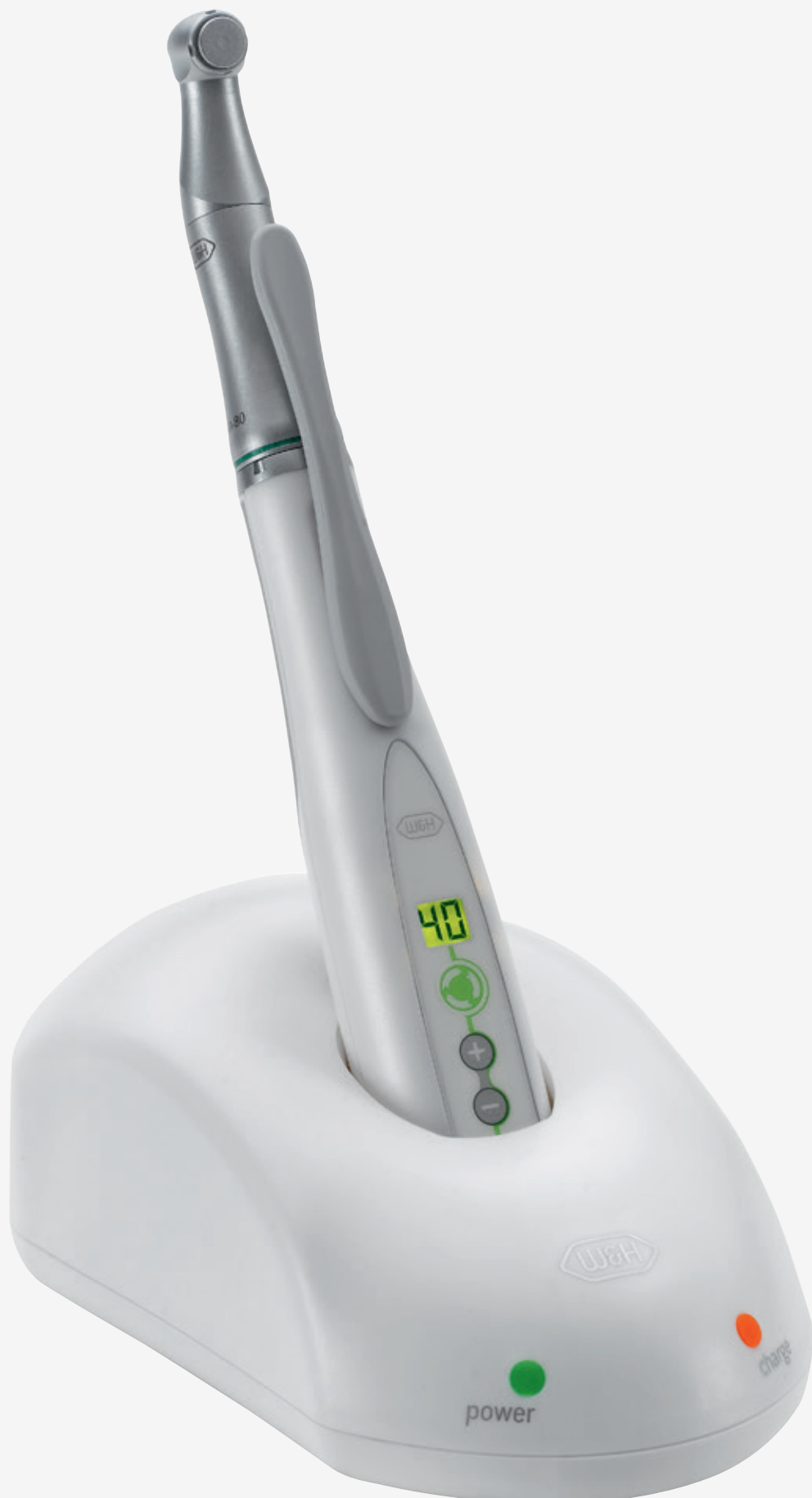
Prevents excessive bone compression while screwing in the implant.



Durable and long life

Surgical straight and contra-angle handpieces for Implantmed in high-quality stainless steel. For more information see pages 20 and 22.

Prosthetic screwdriver



For precise torque control

Practical, fast and no risk. The single-handed operation means the cordless prosthodontic screwdriver is fast and, most importantly, safe and provides the best possible view of the treatment site.



Precise torque control

Adjustable from 8 to 40 Ncm in 1 Ncm steps. This allows precise, risk-free tightening of retaining screws.



Key pad

Activate the prosthodontic screwdriver with the key pad.



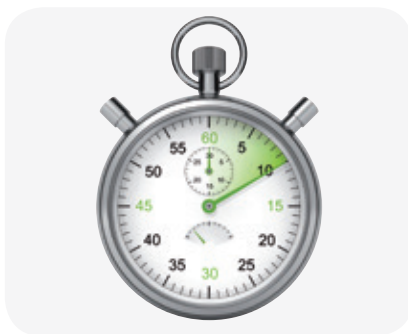
Cordless operation

No obstacles for your prosthodontic screwdriver with modern Li-Ion battery technology.



Small head for a clear view

Nothing blocks your view of the treatment site.



Constant speed saves time

At 25 revolutions per minute it takes less than 10 seconds to tighten a retaining screw.



Lubricated for life

The thermo washer disinfected and sterilizable contra-angle handpiece is lubricated for life and must not be oiled.

Surgical handpieces and contra-angles



Fatigue-free and flexible operation

Durable, ergonomic and robust. W&H surgical straight and contra-angle handpieces have been specially designed for oral and maxillofacial surgery and implantology. The high-quality stainless steel with special coating makes them particularly robust.



Fatigue-free operation

The new ergonomic design is perfectly coordinated to all the application possibilities and prevents fatigue.



Optimal illumination

Thanks to its being half the size of a normal LED, the Mini LED+ can be integrated very close to the tip and offers optimal illumination.



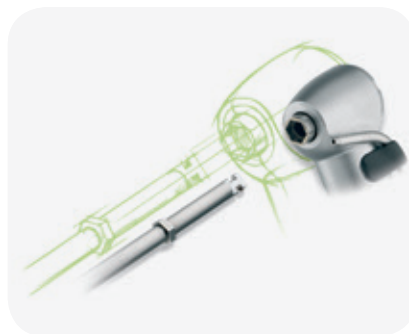
Variable cooling

There are spray clips available for the left and right. This means that for the first time cooling can be adapted to the individual requirements.



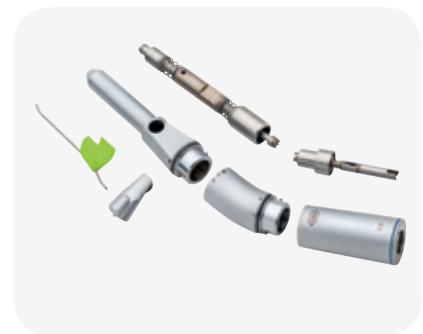
Scratch-resistant surface

The unique coating protects the straight and contra-angle handpiece from scratches. This facilitates cleaning and preserves the value.



Hexagon chucking system

The hexagon chucking system developed and patented (EU, USA) by W&H ensures safe use even at high torques.



Perfect cleaning

To satisfy the stringent hygiene requirements, the straight and contra-angle handpieces can be dismantled.

Surgical handpieces and contra-angles



The new contra-angle handpieces WS-91 and WS-91 L G with 45° head unite the advantages of straight and contra-angle handpieces for the first time. The 45° angle allows considerably better access and considerably better visibility of the treatment site. This is particularly helpful in the surgical extraction of

wisdom teeth, precise tooth separations and apical resections. This makes palatal access to the maxillary molars much simpler, even with a small mouth opening. In contrast, in buccal applications, there is more space between the cheek and the operating site.

At the same time, the view is barely affected. Depending on the drive speed, the ratio of 1:2.7 makes it possible to achieve speeds of up to 135,000 revolutions per minute on the rotating instrument. A triple spray guarantees sufficient cooling of the rotating instrument and the tooth.

Leader in LED technology

Clear, bright and wide field of view. Excellent lighting conditions facilitate accurate diagnoses and perfect treatment results. The surgical instruments with Mini LED+ produce light independently. An integrated generator supplies the LED in the instruments with power.



WS-75 (without light)
WS-75 L G (with Mini LED+)
Models specially designed for implantation.



WS-56, WS-92 (without light),
WS-56 L G, WS-92 L G (with Mini LED+)
These models are outstanding for difficult surgical procedures.



WS-91 (without light)
WS-91 L G (with Mini LED+)
The 45° angle allows considerably better access and considerably better visibility of the treatment site.



S-9, S-11 (without light)
S-9 L G, S-11 L G (with Mini LED+)
The first choice for complex jaw procedures.



S-10, S-12, S-15 (without light)
Improves the view of areas where access is difficult.



WI-75 E/KM (without light)
Model specially designed for implantation.

Surgical saw handpieces

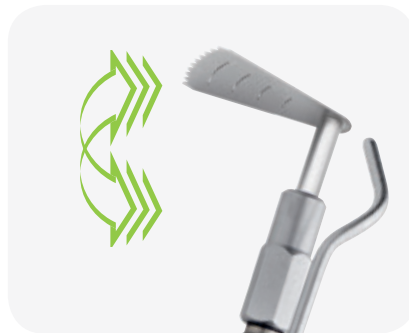


For outstanding cutting power

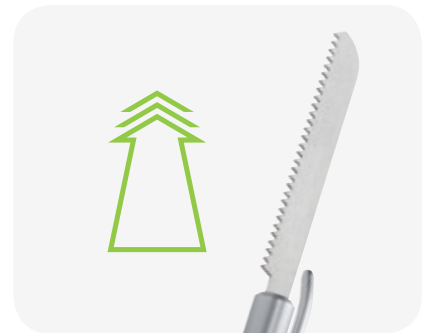
Fast, powerful and durable. The saw handpieces have been specially designed for conversion osteotomies and bone harvesting. Even after many years of use at maximum speed, consistently high cutting performance is still guaranteed.



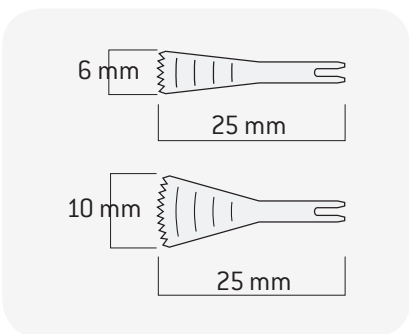
S-8 S with sagittal motion
Cutting direction parallel to the axis,
low vibration, dismantlable



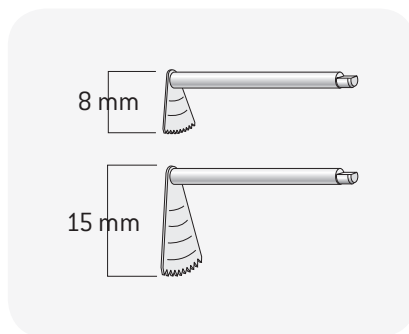
S-8 O with oscillating motion
Cutting direction 90° to the axis,
low vibration, dismantlable



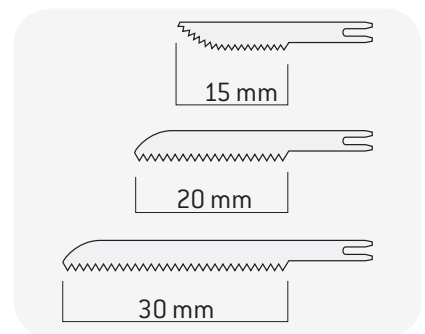
S-8 R with reciprocating motion
Forward / reverse cutting direction,
low vibration, dismantlable



Sagittal saw blades for S-8 S
width 6 mm or 10 mm,
incl. depth gauge on the saw blade
(2.5 mm graduations),
available as single pack or five pack



Oscillating saw blades for S-8 O
height 8 mm or 15 mm,
incl. depth gauge on the saw blade
(2.5 mm graduations),
available as single pack



Reciprocating saw blades for S-8 R
length 15 mm, 20 mm or 30 mm,
crosswise tooth setting for
increased cutting power,
available as single pack or five pack

Elcomed



Type:	SA-310
Max. torque at the rotary instrument*:	80 Ncm
Documentation**:	yes / USB
Mains voltage:	100 – 130 V or 220 – 240 V, 50 / 60 Hz
Max. mechanical output power:	100 W
Max. torque at the motor:	7 Ncm
Motor speed range in the nominal voltage range:	300 min ⁻¹ – max. 50,000 min ⁻¹ , safety stop at 40,000 min ⁻¹
Intended transmission instruments:	ISO connection 3964 (DIN 13940)
Length of motor cable:	1.8 m or 3.5 m
Coolant flow rate at 100 %:	at least 90 ml/min
Foot control:	yes
Height / width / depth:	109 x 256 x 305 mm

* Adjustment with WS-75 and WI-75

** Also available without documentation function

Implantmed



Type:	SI-915	SI-923
Max. torque at the rotary instrument*:	70 Ncm	
Mains voltage:	100 – 130 V, 50 / 60 Hz	220 – 240 V, 50 / 60 Hz
Max. mechanical output power:	70 W	
Max. torque at the motor:	5.5 Ncm	
Motor speed range in the nominal voltage range:	300 – 40.000 min ⁻¹	
Intended transmission instruments: Program 4 and 5:	ISO connection 3964 (DIN 13940), transmission ratio 1:1, 20:1 exclusively with WI-75 or WS-75 models	
Length of motor cable:	1.8 m	
Coolant flow rate at 100 %:	at least 90 ml/min	
Foot control:	yes	
Height / width / depth:	100 x 235 x 240 mm	

* in program 4

Piezomed



Type:	SA-320
Mains voltage:	100 – 130 V or 220 – 240 V
Frequency:	50 – 60 Hz
Max. power consumption:	90 VA
Max. mechanical output power:	24 W
Coolant flow rate at 100 %:	at least 50 ml/min
Length of handpiece cable:	1.8 m or 3.5 m
Foot control:	yes
Height / width / depth:	109 x 256 x 305 mm

Accessories for Piezomed, Elcomed and Implantmed



Perfectly packed

The sterilization cassette (without contents) is the ideal storage container for motor with cable, handpieces, contra-angles, Piezomed handpiece and accessories.



Safe travel

The transportation case (without contents) for outpatient procedures.



Practical accessories

The trolley is available with and without a power bar (EU plugs only).

Total height: 78 cm

Tray (width x depth)

upper: 39.5 cm x 36.5 cm

middle: 31 cm x 24 cm

lower: 40 cm x 43 cm

Prosthodontic screwdriver IA-400



Handpiece drive IA-40 H



Battery type:	Li-Ion
Battery voltage:	3.7 V
Rated capacity:	680 mAh
Speed of the instrument:	25 min ⁻¹
Torque:	8 – 40 Ncm
Charging time:	approx. 100 minutes
Battery capacity:	approx. 40 screws at average torque
Weight:	90 g

Charging station

Mains voltage:	100 – 240 V
Frequency:	50 – 60 Hz
Rated current:	0.08 – 0.12 A
Power:	5 W
Weight:	345 g

Contra-angle IA-80*

Type:	IA-80
Transmission ratio:	80:1
Coupling system:	W&H special coupling

  *The contra-angle IA-80 is thermo washer disinfectable and sterilizable up to 135 °C

Surgical handpieces with Mini LED+ and generator



Type:	S-9 L G	S-11 L G
Transmission ratio:	1:1	1:1
Coupling system:	ISO 3964 (DIN 13940)	ISO 3964 (DIN 13940)
Lighting system:	Mini LED+	Mini LED+
Power supply:	via independent generator	via independent generator
Light quality:	daylight	daylight
Spray:	external	external
Chucking system:	lever chuck	lever chuck
Rotary instruments:	for surgical burs and cutters Ø 2.35 mm*	for surgical burs and cutters Ø 2.35 mm*
Permitted bur length:	45 mm	45 mm
Maximum drive speed:	40,000 min ⁻¹	40,000 min ⁻¹
Dismantlable:	yes	yes
Indications, e.g.:	apical resection osteotomy apical trepanning bone modelling	apical resection osteotomy apical trepanning bone modelling

* also Stryker system

Surgical handpieces without light



Type:	S-9 / S-11	S-15	S-10	S-12
Transmission ratio:	1:1	1:1	1:1	1:2
Coupling system:	ISO 3964 (DIN 13940)	ISO 3964 (DIN 13940)	ISO 3964 (DIN 13940)	ISO 3964 (DIN 13940)
Spray:	external	external	external	external
Chucking system:	lever chuck	lever chuck	lever chuck	lever chuck
Rotary instruments:	for surgical burs and cutters Ø 2.35 mm*	for surgical burs and cutters Ø 2.35 mm*	for surgical burs and cutters Ø 2.35 mm	for surgical burs and cutters Ø 2.35 mm
Permitted bur length:	45 mm	45 mm	70 mm	70 mm
Maximum drive speed:	50,000 min ⁻¹	30,000 min ⁻¹	50,000 min ⁻¹	40,000 min ⁻¹
Dismantlable:	yes	yes	yes	yes
Indications, e.g.:	apical resection osteotomy apical trepanning bone modelling	osteotomy for difficult to access areas	osteotomy fenestration osteosynthesis in distal areas	osteotomy fenestration osteosynthesis in distal areas

* also Stryker system

Surgical contra-angles with Mini LED+ and generator



Type:	WS-56 L G	WS-75 L G	WS-91 L G	WS-92 L G
Transmission ratio:	1:1	20:1	1:2.7	1:2.7
Coupling system:	ISO 3964 (DIN 13940)		ISO 3964 (DIN 13940)	
Lighting system:	Mini LED+		Mini LED+	
Power supply:	via independent generator		via independent generator	
Light quality:	daylight		daylight	
External spray:	single	single	triple	triple
Internal cooling system:	–	Kirschner/Meyer	–	–
Chucking system:	push-button chuck		push-button chuck	
Rotary instruments:	for surgical burs and cutters with contra-angled shank Ø 2.35 mm		for surgical burs and cutters with FG shank Ø 1.6 mm	
Maximum drive speed:	40,000 min ⁻¹		40,000 min ⁻¹	
Dismantlable:	yes	yes	yes	yes
Indications, e.g.:	maxillary and mandibular osteotomy germectomy sequestrectomy	implantation osteotomy	hemisection extraction of wisdom teeth	

Surgical contra-angles without light



Typ:	WS-56	WS-75 (WI-75 E/KM*)	WS-91	WS-92
Transmission ratio:	1:1	20:1	1:2.7	1:2.7
Coupling system:	ISO 3964 (DIN 13940)		ISO 3964 (DIN 13940)	
External spray:	single	single	triple	triple
Internal cooling system:	–	Kirschner/Meyer	–	–
Chucking system:	push-button chuck		push-button chuck	
Rotary instruments:	for surgical burs and cutters with contra-angled shank Ø 2.35 mm		for surgical burs and cutters with FG shank Ø 1.6 mm	
Maximum drive speed:	50,000 min ⁻¹		50,000 min ⁻¹	
Dismantlable:	yes	yes	yes	yes
Indications, e.g.:	maxillary and mandibular osteotomy germectomy sequestrectomy	implantation osteotomy	hemisection extraction of wisdom teeth	

* WI-75 E/KM: as WS-75, not dismantlable

Surgical saw handpieces



Type:	S-8 R	S-8 0	S-8 S
Transmission ratio:	3.25:1	3.4:1	3.25:1
Coupling system:	ISO 3964 (DIN 13940)		
Strokes / angles:	1.8 mm	12°	3°
Frequency (strokes/min.):	12,300	11,800	12,300
Maximum drive speed:	40,000 min ⁻¹	40,000 min ⁻¹	40,000 min ⁻¹
Dismantlable:	yes	yes	yes

Oral surgery and Implantology

Pictures are for illustrative purposes only. Additional equipment and accessories shown are not included as standard.

Scan the QR-Code with
your mobile telephon
for more information
on our products



W&H Dentalwerk Bürmoos GmbH
Ignaz-Glaser-Straße 53, Postfach 1
5111 Bürmoos, Austria
t +43 6274 6236-0
f +43 6274 6236-55
office@wh.com
wh.com